

Dr. Licht GmbH

Vorlaenderweg 9 51588 Nuembrecht Germany
Tele.: +49 2295 9035459 info@dr-licht.de

full spectrum LED spegg © C270

380 nm

460 nm

540 nm

620 nm

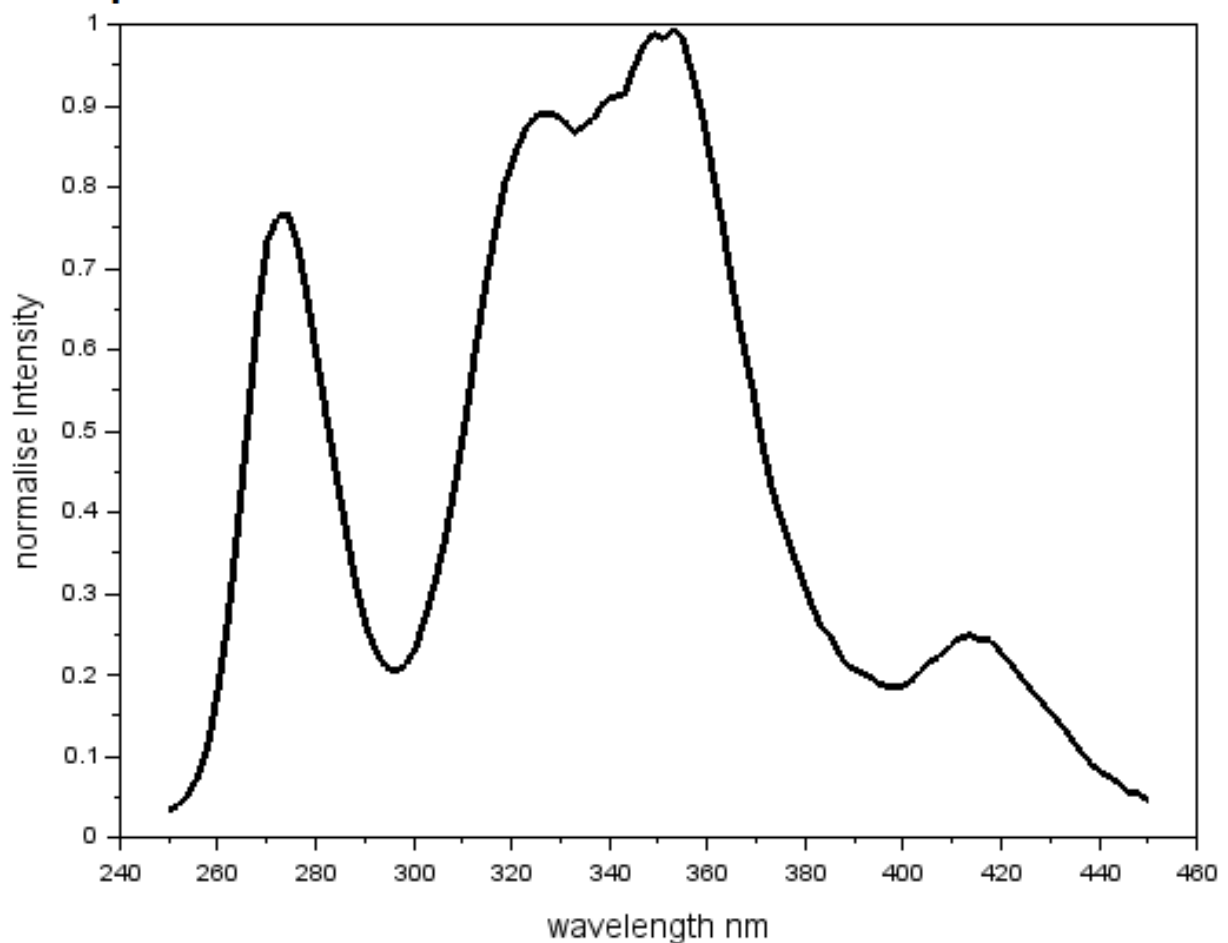
700 nm

780 nm

Features

- Zener diode is built in the protective circuit against static electricity
- Low Voltage DC Operated
- Long operating life
- Qualified according to JEDEC moisture sensitivity Level 2
- Compatible to IR reflow soldering

Spectral Power Distribution



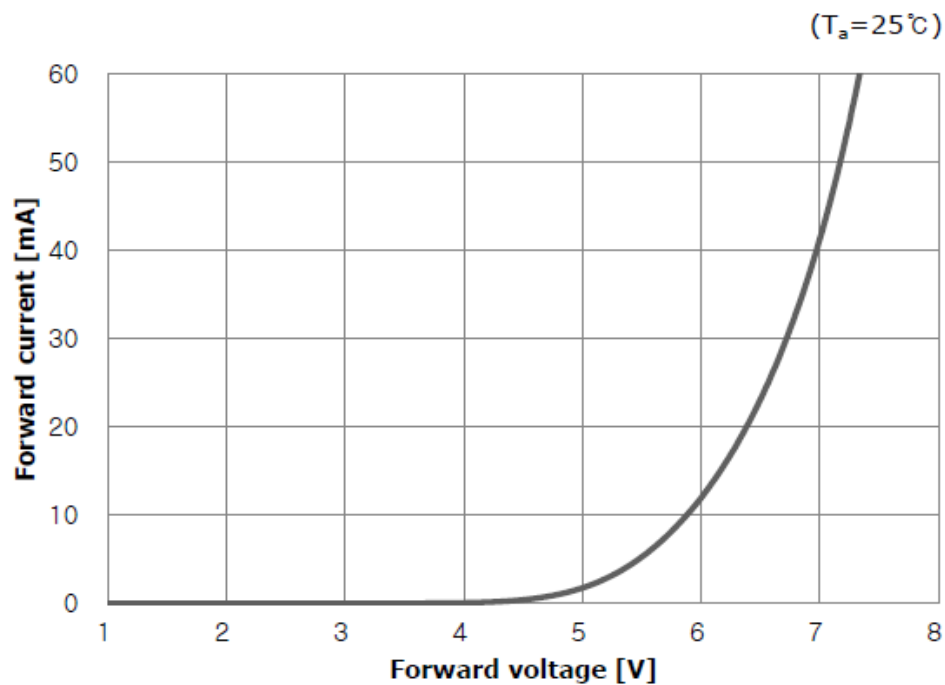
Dr. Licht GmbH

Vorlaenderweg 9 51588 Nuembrecht Germany

Tele.: +49 2295 9035459

info@dr-licht.de

Absolute Maximum Ratings at $T_a=25^\circ\text{C}$		
Parameter	Value	Unit
Forward Current	30	mA
Operating Temperature	from -30 to +60	$^\circ\text{C}$
Storage Temperature	from -40 to +100	$^\circ\text{C}$



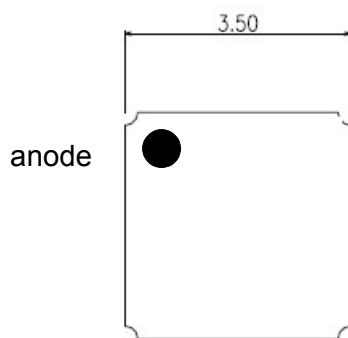
Dr. Licht GmbH

Vorlaenderweg 9 51588 Nuembrecht Germany

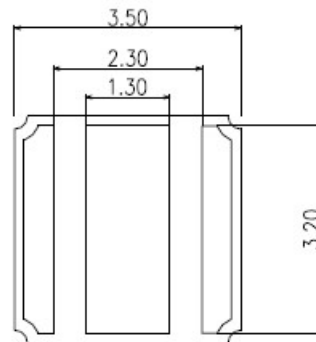
Tele.: +49 2295 9035459

info@dr-licht.de

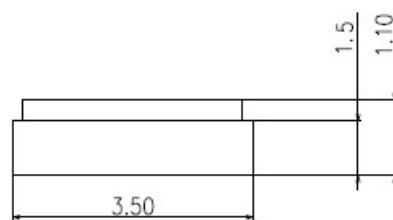
Top View



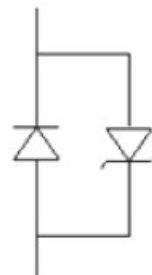
Bottom View



Side View



Circuit



Precaution for Use

1. Cautions

- This device is a UV LED, which radiates UV light during operation.
- DO NOT look directly into the UV light or look through the optical system. To prevent in adequate exposure of UV radiation, wear UV protective glasses.

2. Static Electricity

- The LEDs are very sensitive to Static Electricity and surge voltage. So it is recommended that a wrist band or an anti-electrostatic glove be used when handling the LEDs.
- All devices, equipment and machinery must be grounded properly. It is recommended that precautions should be taken against surge voltage to the equipment that mounts the LEDs.

3. Heat Generation

- The powered LEDs generate heat. Heat dissipation should be considered in the application design to avoid the environmental conditions for operation in excess of the absolute maximum ratings.

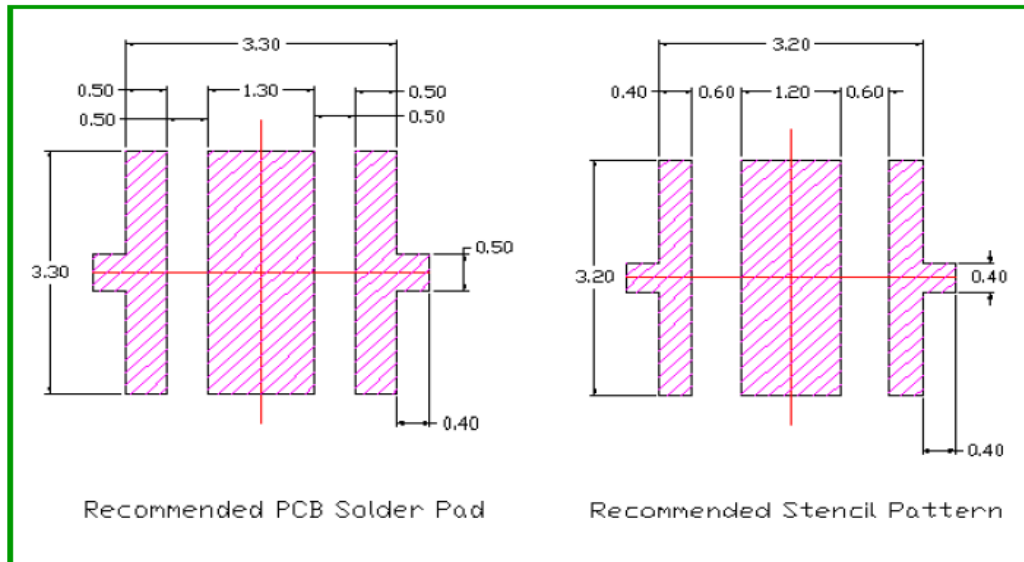
Dr. Licht GmbH

Vorlaenderweg 9 51588 Nuembrecht Germany

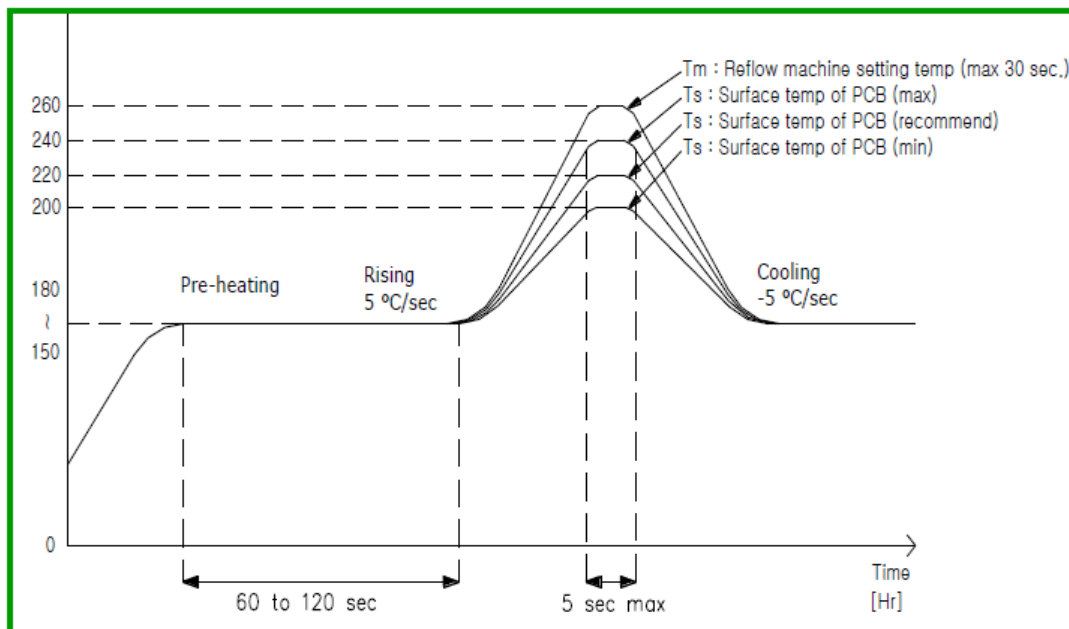
Tele.: +49 2295 9035459

info@dr-licht.de

Recommended solder pad



Reflow Soldering Profile



* Caution

1. Reflow soldering should not be done more than one time.
2. Repairs should not be done after the LEDs have been soldered. When repair is unavoidable, suitable tools must be used.
3. Die slug is to be soldered.
4. When soldering, do not put stress on the LEDs during heating.
5. After soldering, do not warp the circuit board.
6. Recommend to use a convection type reflow machine with 7 ~ 8 zones.